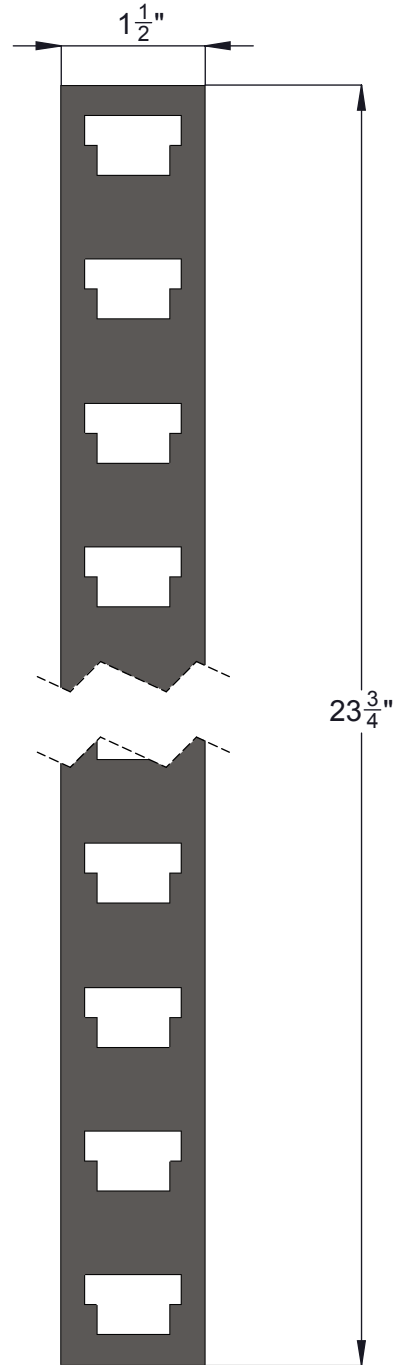
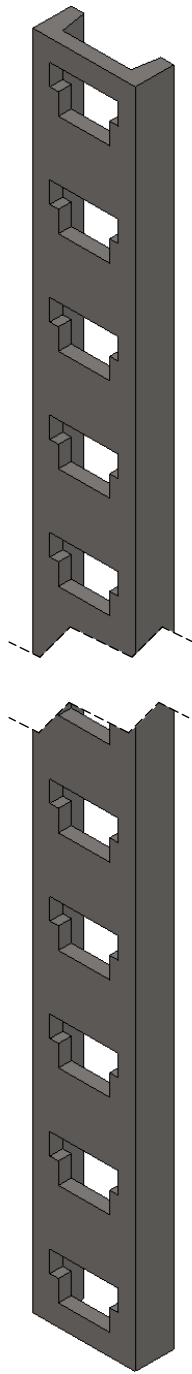


# UNDERGROUND CABLE RACK



**General Notes:**

1. MANUFACTURED FROM 1-1/2 X 9/16 X 3/16 INCH HOT ROLLED STEEL CHANNEL
2. MOUNT THROUGH T-SLOTS
3. T-SLOTS SPACED AT 1-1/2"
4. HOT DIP GALVANIZED FINISH

**MADE IN U.S.A.**

**INWESCO**  
 INCORPORATED  
 AZUSA, CA FORTWORTH, TX (800) 266-9304

UNDERGROUND CABLE RACK  
16 HOLES

**10A09**